

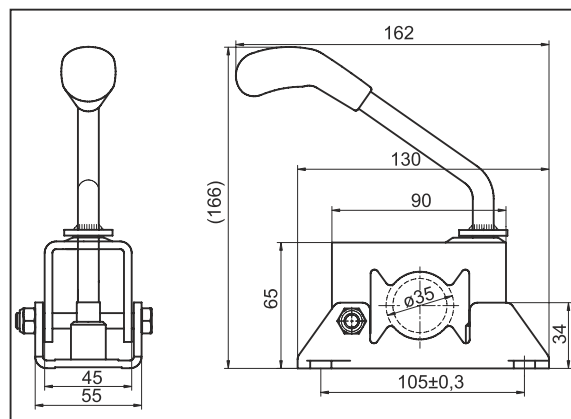
JOCKEY WHEEL CLAMP



JOCKEY WHEEL CLAMP



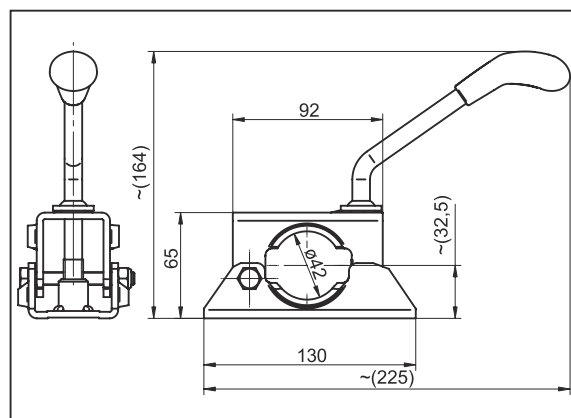
LB 35



Type	Load capacity kg (max.)	Montage	Article number
LB 35	75	with bolt	6F0036.001



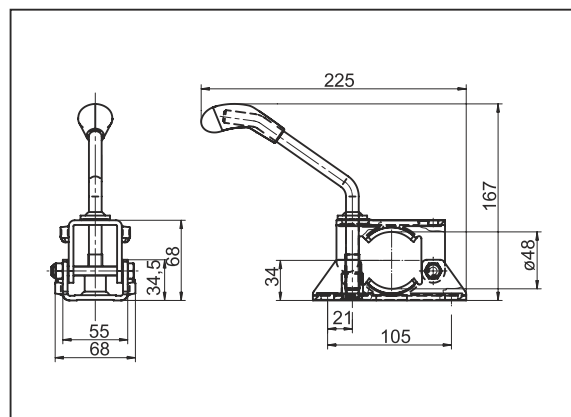
LB 42



Type	Load capacity kg (max.)	Montage	Article number
LB 42	125	with bolt	6F0024.001

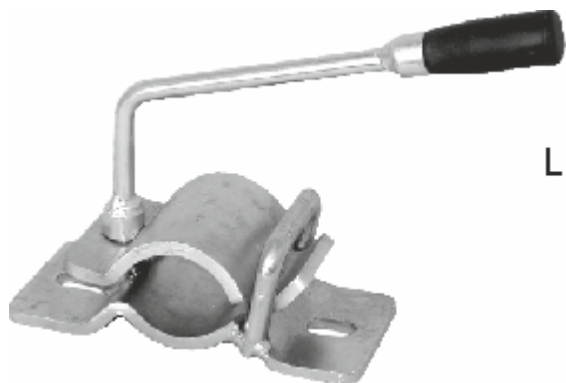


LB 48

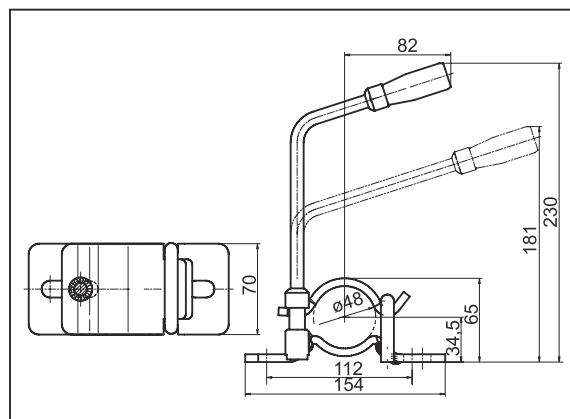


Type	Load capacity kg (max.)	Montage	Article number
LB 48	200	with bolt	6F5093.001

JOCKEY WHEEL CLAMP



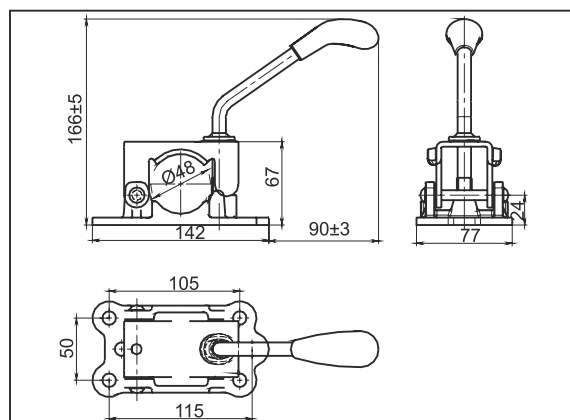
LB 48



Type	Load capacity kg (max.)	Montage	Article number
LB 48	250	with bolt	6F0081.001



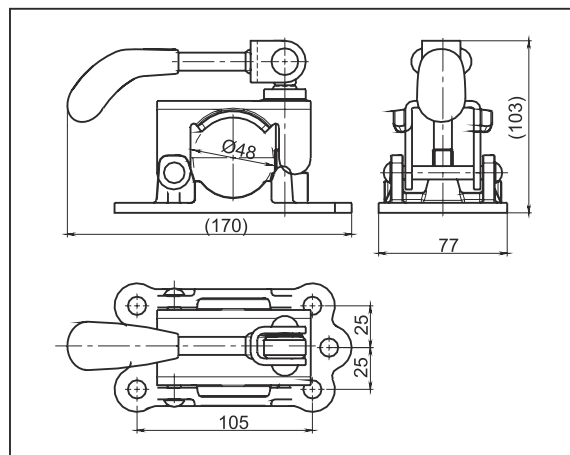
LBG 48



Type	Load capacity kg (max.)	Montage	Article number
LBG 48	250	with bolt	6F5121.001



LB 48

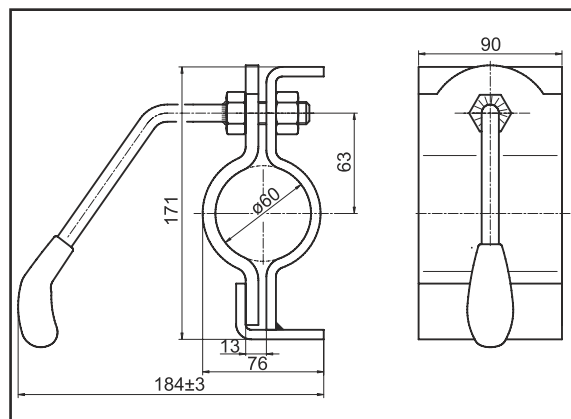


Type	Load capacity kg (max.)	Montage	Article number
LB 48	200	with bolt	6F5013.001

JOCKEY WHEEL CLAMP



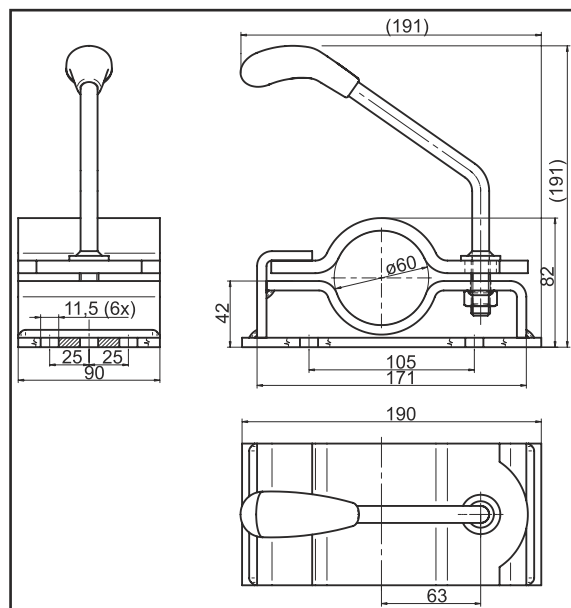
LB 60



Type	Load capacity kg (max.)	Montage	Article number
LB 60	280	with welding	6F0109.001



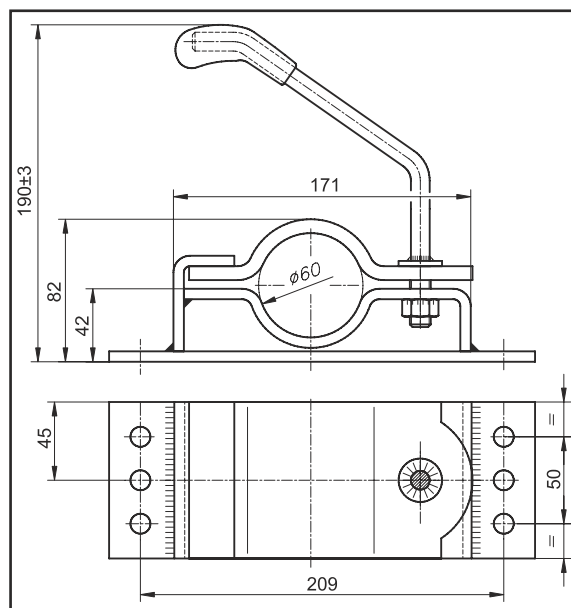
LB 60 T1



Type	Load capacity kg (max.)	Montage	Article number
LB 60 T1	280	with bolt	6F5047.001



LB 60 T2

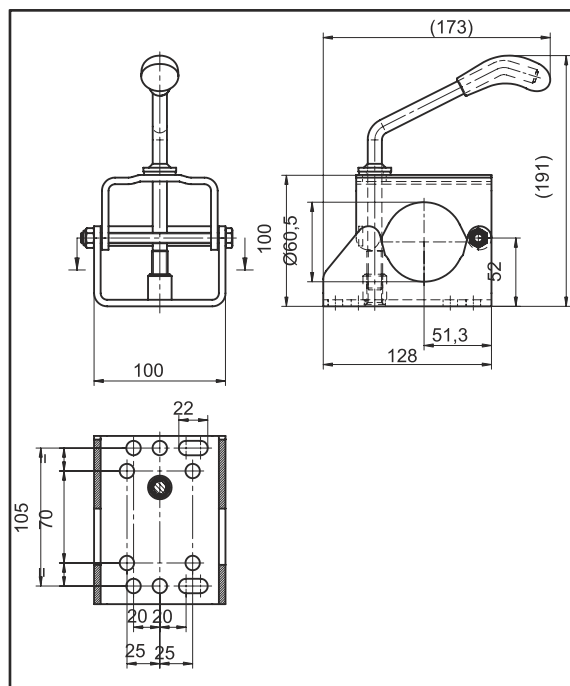


Type	Load capacity kg (max.)	Montage	Article number
LB 60 T2	280	with bolt	6F0010.001

JOCKEY WHEEL CLAMP



KLE 60

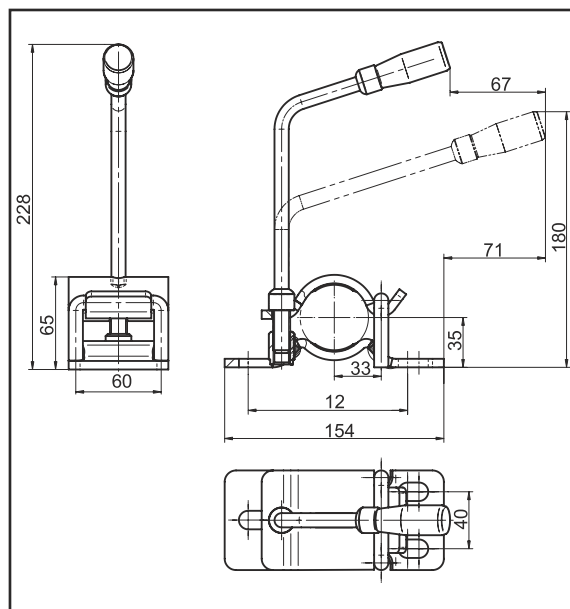


Type	Load capacity kg (max.)	Montage	Article number
KLE 60	250	with bolt	6F0095.001

Jockey wheel clamp for corded tube

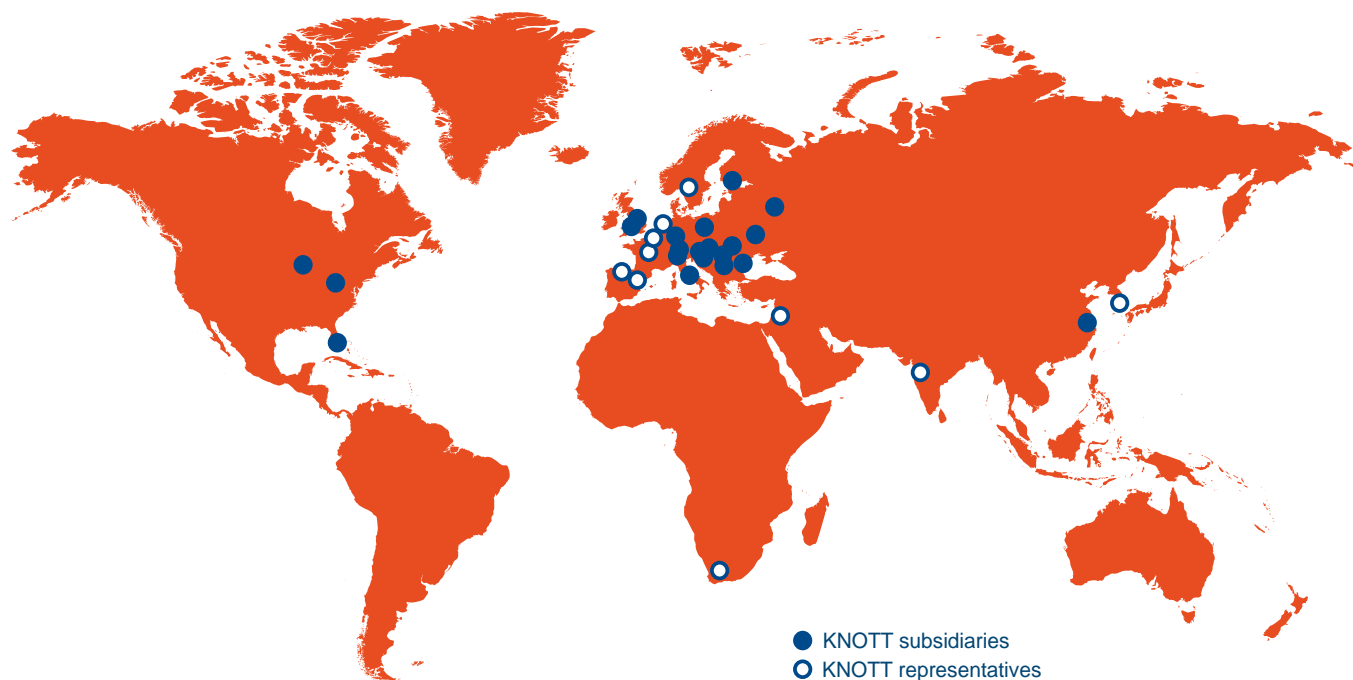


LB H 48



Type	Load capacity kg (max.)	Montage	Article number
LB H 48	350	with bolt	6F5052.001

There is no trailer without us



The Knott Group - global competency

The member companies of the Knott Group design, develop, produce and market braking systems for commercial and off-highway vehicles together with running gear components for trailers.

Competent, one-to-one consulting and outstanding product quality are characteristic of all the companies within the Group.

KNOTT's own production plants and branch offices are supported by a world-wide dealership network.



www.autoflex.ro

KNOTT GROUP
BRAKE AND TRAILER TECHNOLOGY

Presented by:

AUTOFLEX SRL

Tel.: (+40) 259/373-495 Fax: (+40) 259/406-748
RO-415500 Salonta - Sos. Aradului km 75+300 - Romania
web: www.autoflex.ro e-mail: info@autoflex.ro